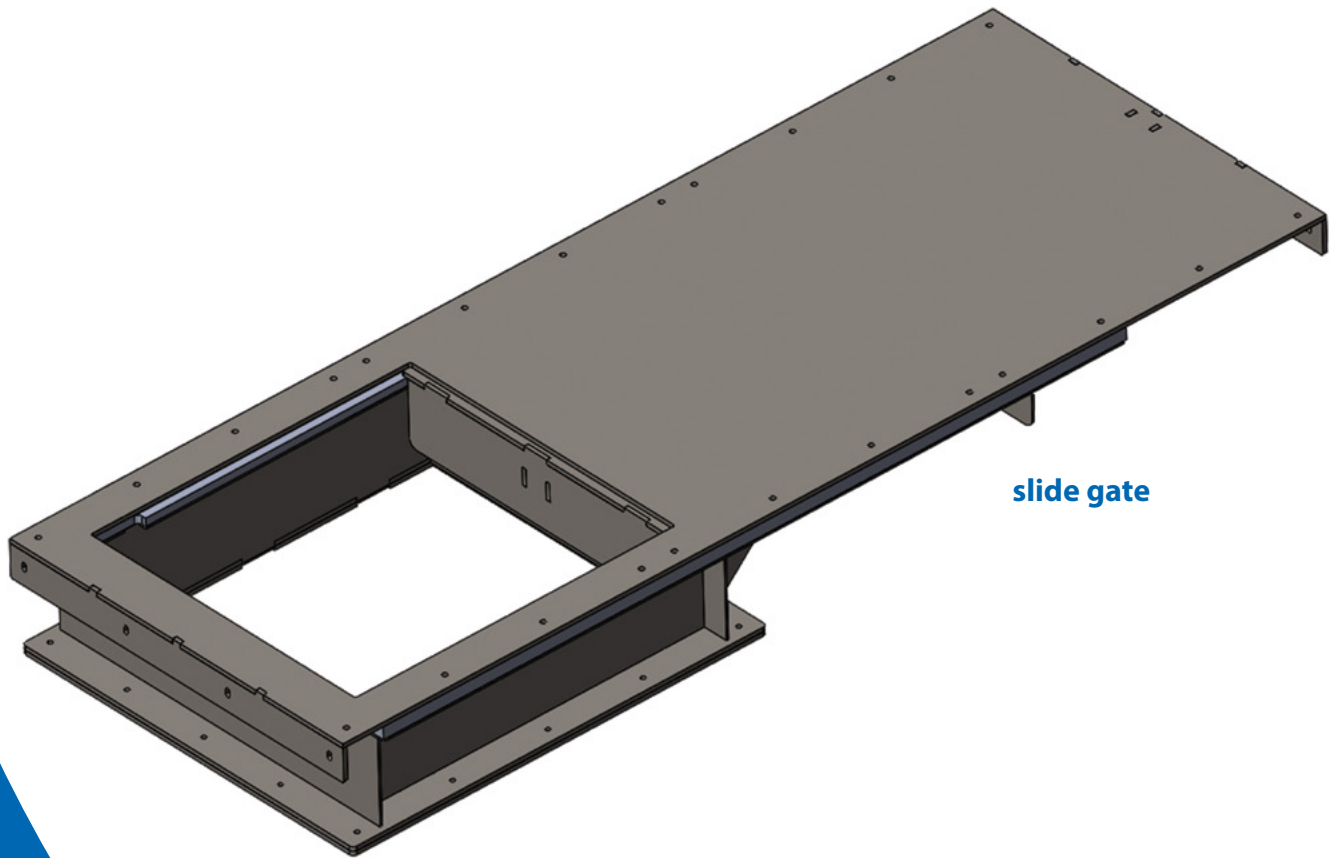


BIOMASS
engineering &
equipment



slide gate

SMART Conveyor™
OPTIONS

Superior Engineering
Superior Performance

OPTIONS

Functional

- Extended top
- Sweep brushes
- Slide gates (electric or pneumatic)
- Paddle scoops
- Tail scoop

Safety & Maintenance

- Manual sample extraction port
- Deluge with spark detection
- Explosion vents
- Inspection doors
- Conduit mounts
- Flop gates

Wear & Finish

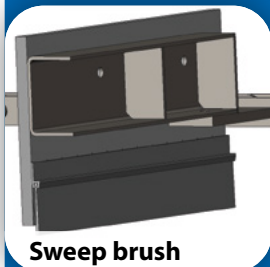
- Floor liners (UHMW, AR steel)
- Powder coat, galvanized, or stainless steel
- Custom colors

Configurations

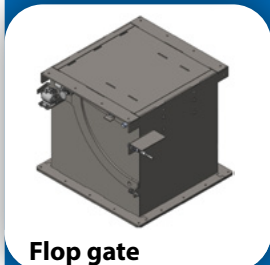
- Stainless steel ash conveyor
- Top-drag conveyor (adds mid-floor)



Extended top



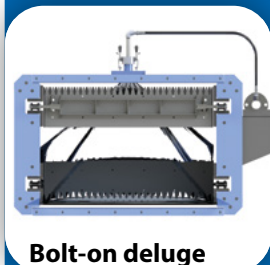
Sweep brush



Flop gate



Sample port



Bolt-on deluge



Galvanized

Inspection door



Conduit mount



Top drag config.



Stainless steel

Contact us!

Call us: 317.522.0864
info@biomassengineeringequipment.com
www.biomassengineeringequipment.com