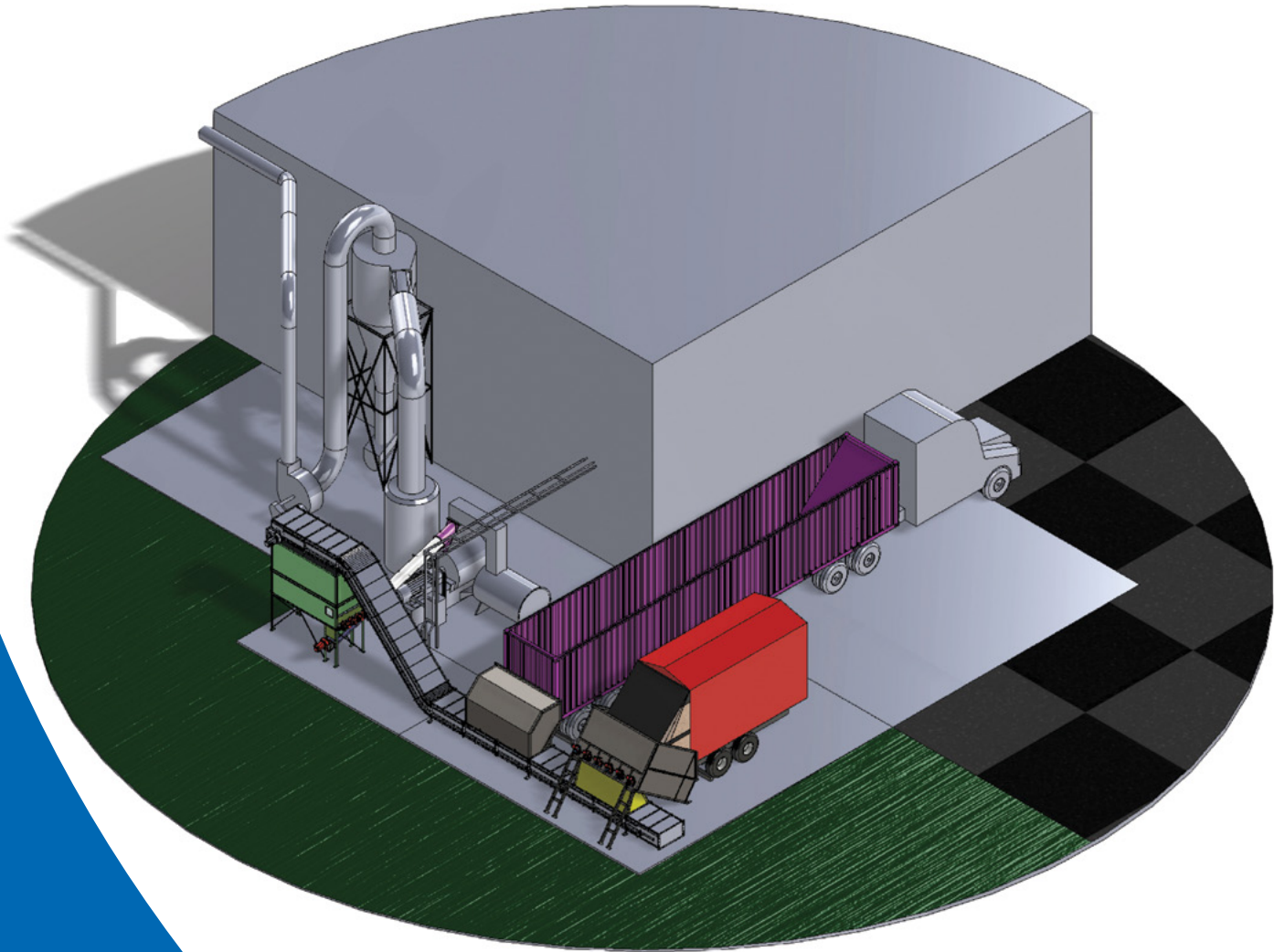
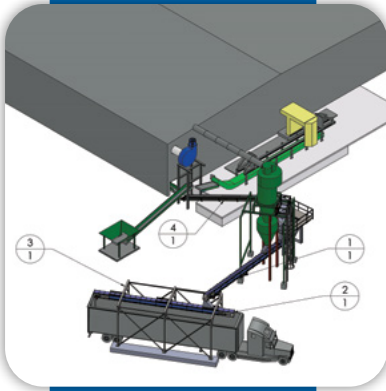


BIOMASS
engineering &
equipment



**ENGINEERING
& Installation**

**Superior Engineering
Superior Performance**



**INDUSTRY-BEST
WARRANTY**

BIOMASS
engineering &
equipment

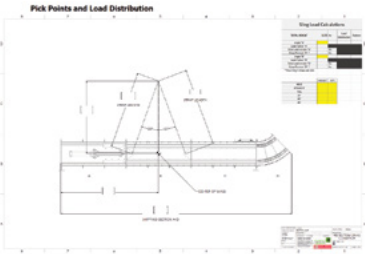


Services

Engineering - Complete & Accurate

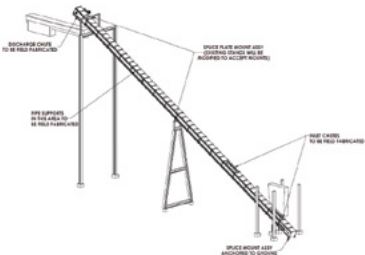
3D Modeling

3D design prevents the conflicts that used to come from doing large projects in 2D. We can locate everything exactly and connect things with precision, even challenging items like piping with compound curve.



Turn-Key Projects

- Material handling systems
- Biomass boiler systems
- Biomass gasification systems
- Pellet mills
- Hardwood veneer and plywood mills
- Chipping lines
- Green-end log infeed and grading



Installations

BE&E offers global installation services on its equipment. Have the company that designed your machinery oversee its installation it to reduce errors during setup.

- Service available worldwide



Contact us!

Call us: (317) 522-0864

**info@biomassengineeringequipment.com
www.biomassengineeringequipment.com**