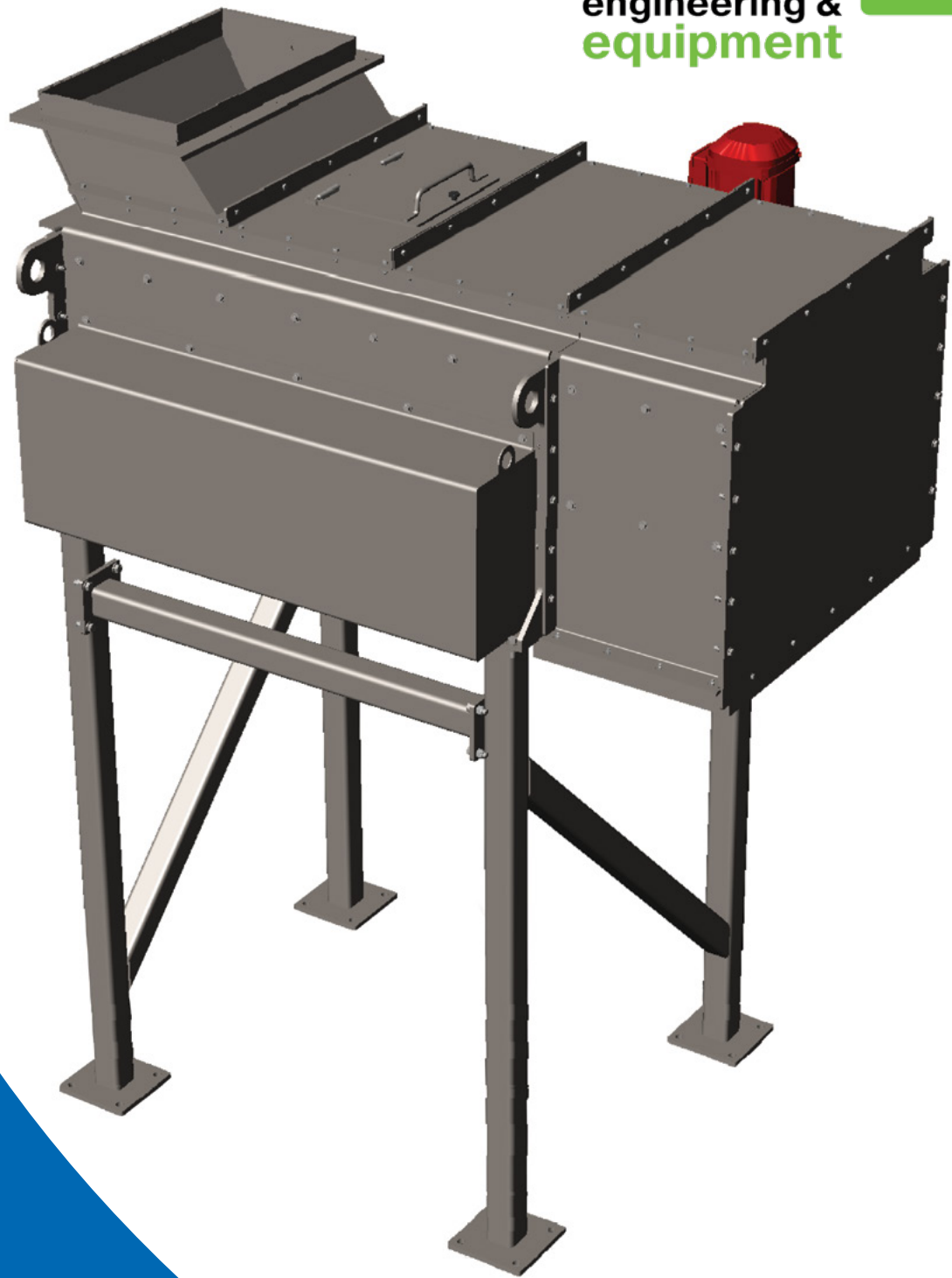


**BIOMASS**  
engineering &  
equipment

**BE  
&E**



**Superior Engineering  
Superior Performance**

**Disc  
Screener**



**INDUSTRY-BEST  
WARRANTY**

**BIOMASS**  
engineering &  
equipment

**BE  
&E**

# Keep It Simple

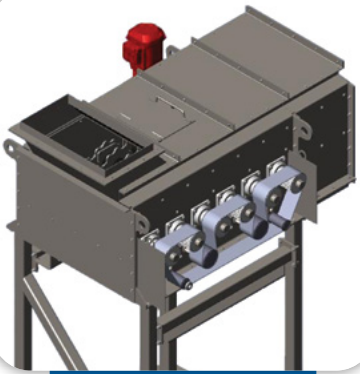
Disc screens remove oversized objects at high flow rates from biomass or other voluminous materials.

## Features

- Cogged belt drive
- No lubrication, no tensioning
- Quiet operation, long life
- Direct shaft-mounted drive
- Dust-tight enclosures
- Discs are not welded to shafts — adjust spacing, swap discs
- Bolts directly to our SMART Conveyor™

## Superior Rock Handling

We simulated thousands of shapes to get the rolls just right. The result: fewer jams.



**Contact us!**

**(317) 522-0864**  
[info@biomassengineeringequipment.com](mailto:info@biomassengineeringequipment.com)  
[www.biomassengineeringequipment.com](http://www.biomassengineeringequipment.com)