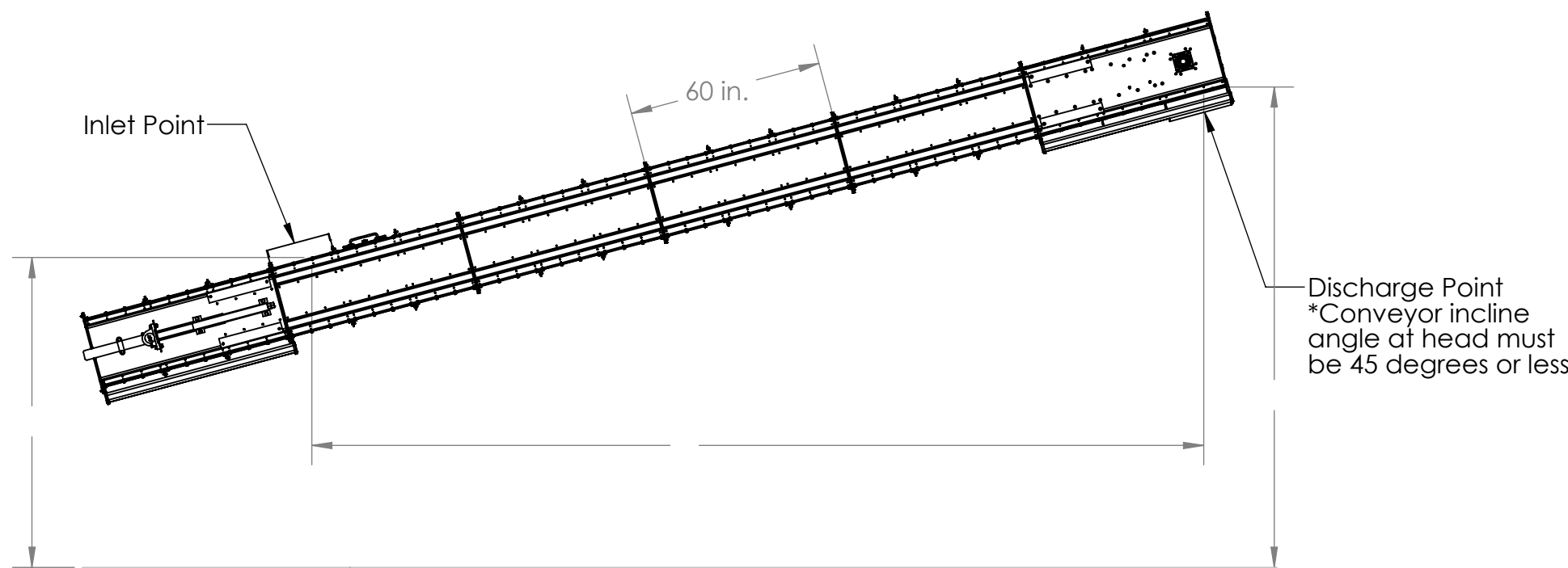
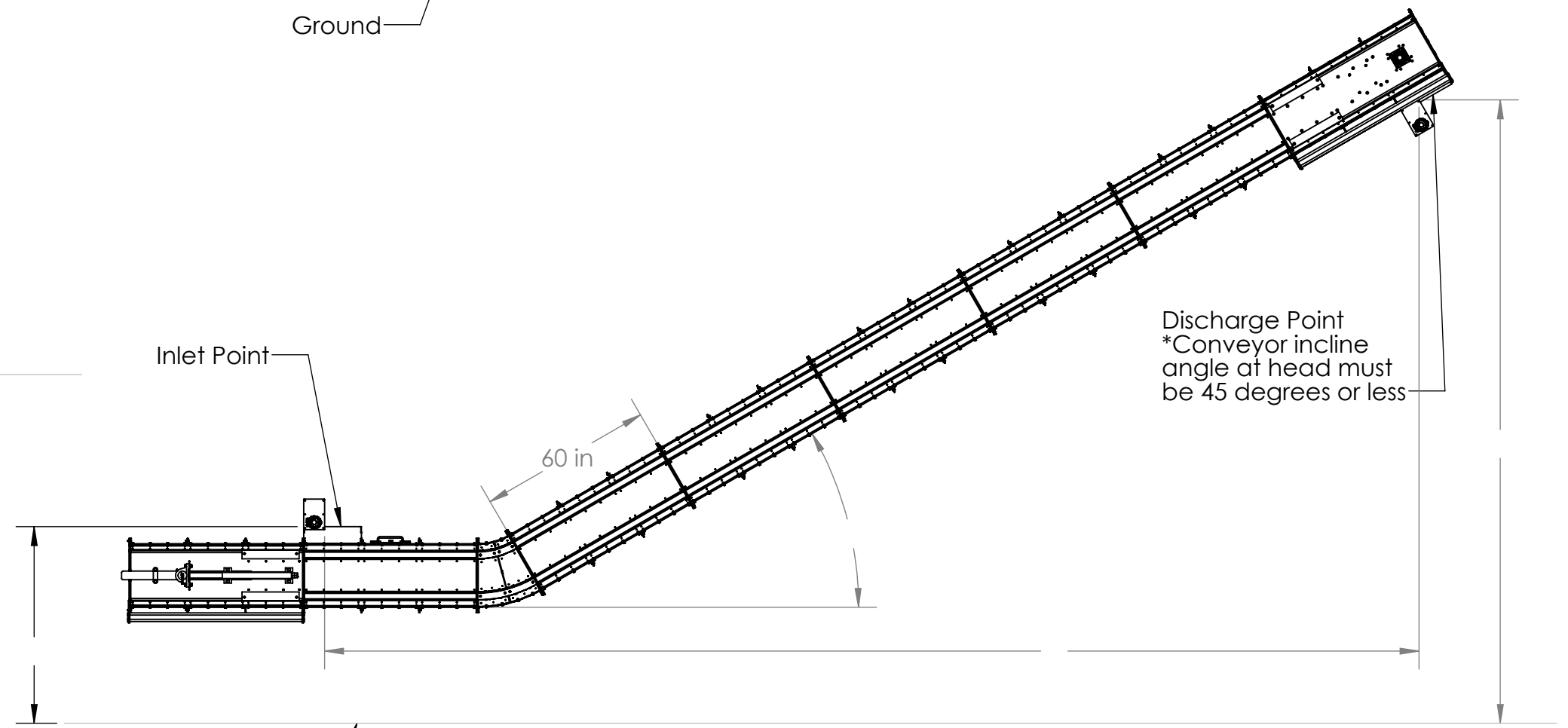


Dual Curve Conveyor



Straight Conveyor



Single Curve Conveyor

**Design Information Needed**

- Material Size (average):
- Material Density:
- Material Moisture Percentage:
- Maximum tons/hr: