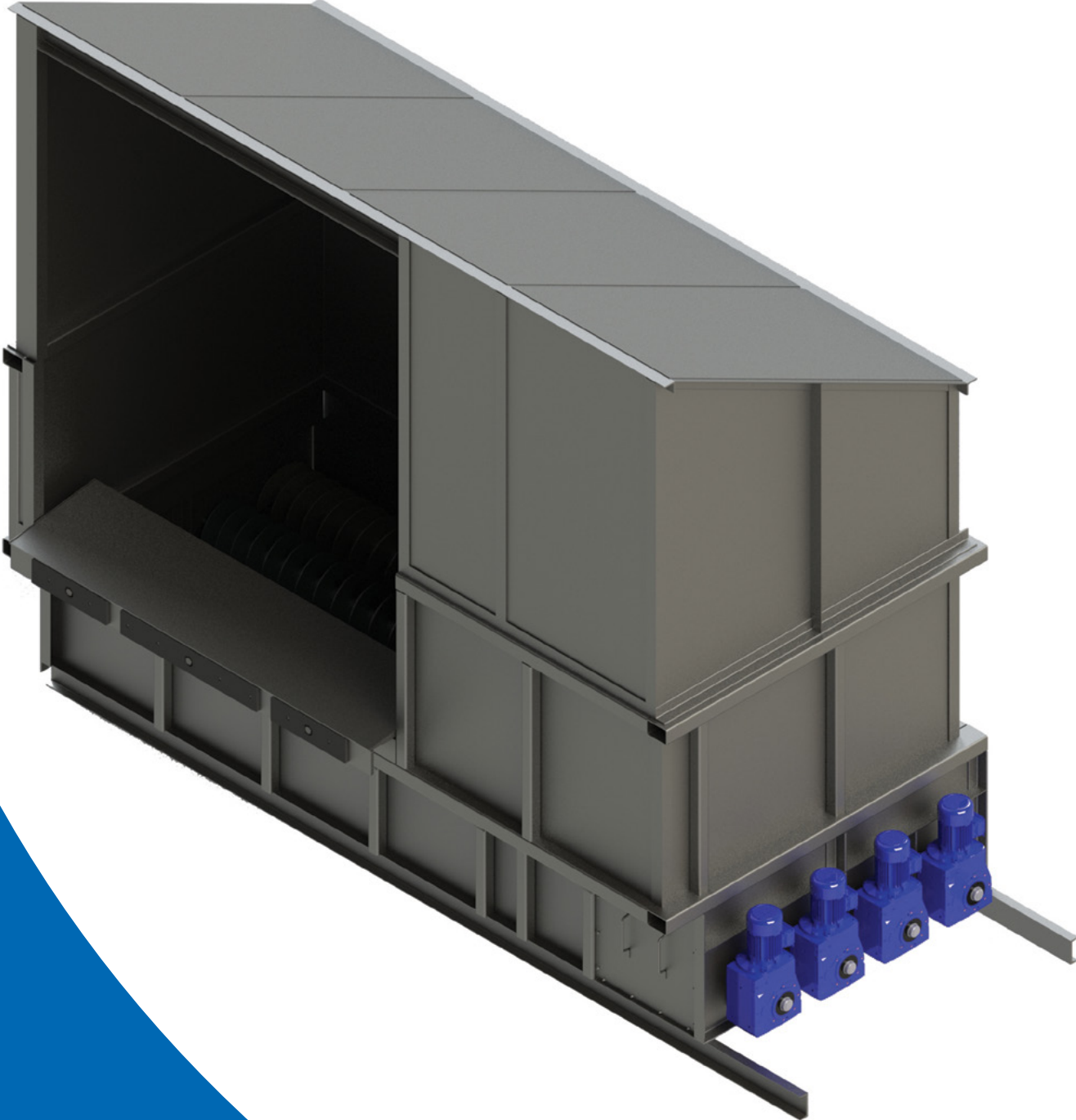


**BIOMASS**  
engineering &  
equipment



# SMART

Receiving & Metering

Superior Engineering  
Superior Performance

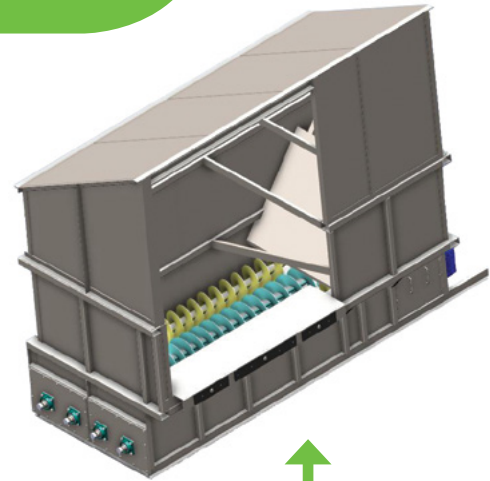
# Variations

## Base Sizes

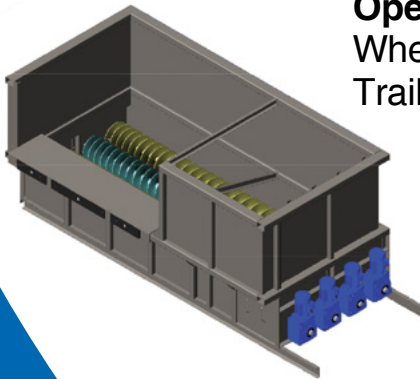
For screw-type bins, we utilize several base sizes and vary the height to build the capacity required.

- 3' x 5' (screw based)
- 4' x 10' (screw based)
- 8' x 16' (screw based)
- 7'-8' x 20', 30', 40', 45' (stroker based)

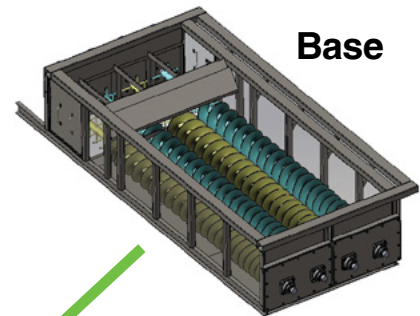
**Top Hat**  
Trailer Receiving



**Open Top**  
Wheel Loader and  
Trailer Receiving



**Base**



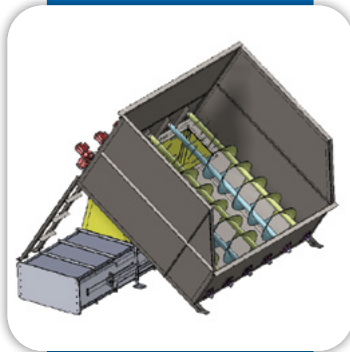
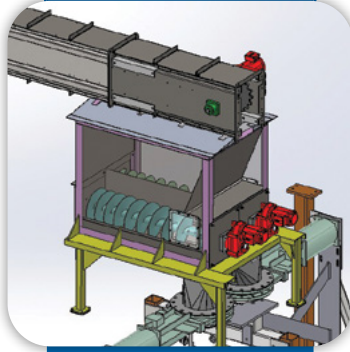
**Open Top**  
Wheel Loader  
Receiving



**Enclosed**  
Metering



**Call us  
TODAY**  
(317) 522-0864



**INDUSTRY-BEST  
WARRANTY**

**BIOMASS**  
engineering &  
equipment

**BE  
&E**

# Overview

Biomass Engineering & Equipment offers a variety of surge/feeder/receiving bins. Customized to match your operational needs, they accurately feed your boiler, gasifier, or other process.

## Applications

- SMART Container receiving
- Trailer receiving
- Front loader receiving
- Metering
- Feeding

## Performance

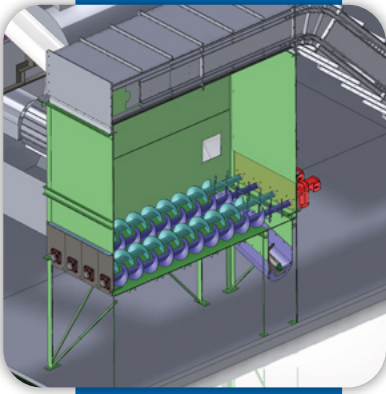
- Our bins do not bridge
- Dust-tight when paired with our SMART Conveyor™

## Moving Floor Bin

- Wedge pushes material out then reverses and slides back under pile
- Material shears off the bottom of the pile
- Simple, robust hydraulic system requires no sensors or limit switches
- Modular for future expansion

# Visit us online

[www.biomassengineeringequipment.com](http://www.biomassengineeringequipment.com)



**INDUSTRY-BEST  
WARRANTY**

**BIOMASS**  
engineering &  
equipment

**BE  
&E**

# Better Bins

## Surge/Feeder Bins

Biomass Engineering & Equipment customizes each bin we create to achieve optimal performance for your application.

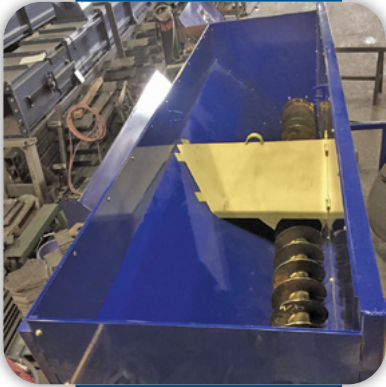
- Accurate material flow rates for your specific application
- Dust-tight performance available when paired with a Biomass Engineering & Equipment SMART Conveyor™
- Direct drive with shaft-mounted gearboxes — no chains, no guards, less maintenance, and better safety

## Trailer Receiving Bins

BE&E Trailer Receiving Bins receive material discharged from our SMART Containers. The Trailer Receiving Bins are designed to eliminate the mess of unloading and accurately meter the flow rate into the feed-supply conveyor.

- Protects feed conveyor from damaging surges
- Eliminates messy unload stations

*Our bins will not bridge!*



**Contact us!**

**Call us: (317) 522-0864**

**info@biomassengineeringequipment.com**  
**www.biomassengineeringequipment.com**