

Superior Engineering Superior Performance

BIOMASS
engineering &
equipment



FLAMELESS EXPLOSION VENTS



SMART CONVEYOR™ OPTIONS

SMART Conveyors™ from Biomass Engineering & Equipment are available with a plethora of optionals related to aesthetics, safety, material testing, performance, and maintenance reduction.

MORE
FUNCTIONS

MORE
OPTIONS

MORE
APPLICATIONS

BIOMASS
engineering &
equipment



www.Biomass-Equipment.com



+1 317-522-0864



Info@Biomass-Equipment.com

BURST PANELS
INSPECTION DOORS
DELUGE NOZZLES
CONDUIT SUPPORTS
CUSTOM COLOR



CONVEYOR OPTIONS

MORE
FUNCTIONS

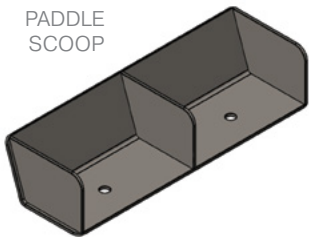
MORE
OPTIONS

MORE
APPLICATIONS

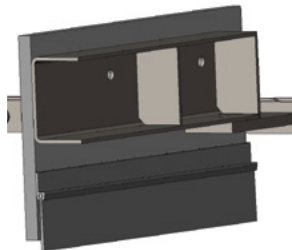
01

MORE FUNCTIONS

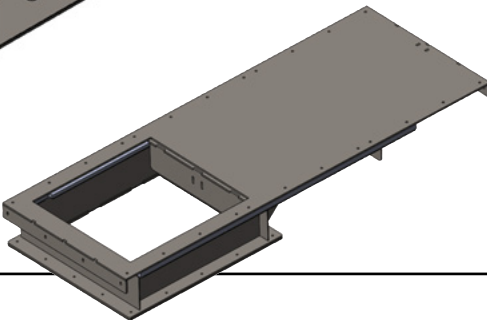
- Extended tops
- Tail scoops
- Paddle scoops
- Slide gates (electric or pneumatic)
- Sweep brushes
- Conduit mounts
- Manual sample ports
- Mid-floors



PADDLE
SCOOP



PADDLE
BRUSH



SLIDE
GATE



MANUAL SAMPLE PORT

02

MORE OPTIONS

- Flop and diversion gates
- Explosion burst panels
- Flameless vents
- Automatic deluge with spark detection
- Sealed inspection doors
- Sealed access doors
- UHMW, Tri-Braze, and AR steel floor liners
- Powder coat, galvanized, and stainless steel finishes
- Custom colors



GALVANIZED FINISH



EXTENDED HOOD
MID-FLOOR



FLOP GATE

03

MORE APPLICATIONS

- Stainless steel ash conveyor
- Single or multiple curves
- Top- or bottom-drag
- Three series with differing heights and capacities: S (standard), M (medium), and T (tall)